

Total Recall VR LinX Neos

The compact & reliable voice logging solution for mission-critical communications



Total Recall VR **LinX Neos** provides a compact, professional, robust and highly configurable desktop voice logging solution for smaller capacity or space limited analogue telephone, VoIP, DMR, RTP and/or radio recording applications.

LinX Neos is well suited to enterprises, governments, public utilities (including Airports and Rail) and military, with thousands of existing Total Recall VR installations working in these industries across the globe.

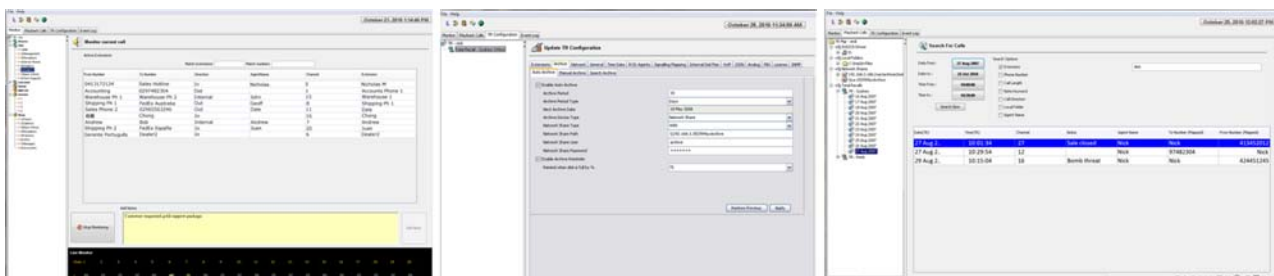
Specifically designed for mission-critical applications, **LinX Neos** offers incredible reliability and interface flexibility in a compact & professional enclosure. When you need the best and most secure call recording system on the market, you need Total Recall VR **LinX Neos**!

- ✓ 24 Simultaneous Analogue Channels;
- ✓ 30 Simultaneous VoIP/RTP/DMR Channels;
- ✓ 24 Simultaneous Analogue Channels PLUS an additional 30 VoIP/RTP/DMR Channels (in Hybrid Recording Mode).
- ✓ Compact Desktop Enclosure Design.
- ✓ Up to 600,000 Hours On-board AV-GP 1TB SATA HDD Storage.
- ✓ Multiple hard drive options (AV-GP, Higher-Capacity and/or SSD HDD) for special installations or vehicle-mounted applications.
- ✓ 265 (H) x 365 (W) x 365 (D) mm.
- ✓ Archive to CD/DVD/Blu-ray, USB devices, and Network Storage (NAS).
- ✓ Built-in Colour LCD Control Panel with keypad.
- ✓ Remote Management and Record on Demand (PCI DSS compliant) PC applications included.
- ✓ Seamless integration with major telephony, radio and console systems, including Tait, Hytera and Omnitronics.
- ✓ Used in some of the most demanding environments worldwide: Military, Vehicle-Mounted, Air Traffic Control recording (ATC), major Emergency Services (E-911) and more...

LinX Neos can record up to 24 simultaneous analogue channels from any line-level audio source - telephones, 2-way radio, intercoms etc. Inputs are standard modular audio jacks that are compatible with a wide range of easily available accessories. Additionally, record up to 30 VoIP channels, RTP streams, DMR channels etc. in any combination.

Continuously live monitor by extension, or search and replay completed calls with ease. All functions are available via the built-in control panel, or from the comfort of your PC. Configurable Record-on-Demand functionality (PCI DSS compliant) gives users the option to record or discard current calls, or even to partially record calls if required. Record all calls, or between user-defined times.

Proven in thousands of installations worldwide, Total Recall VR is the professional and cost effective choice in voice logging systems and services, for all enterprise, government and military requirements.



LinX Neos Specifications:

Analogue

Hi-Z FXS/FXO 2-wire interface.
Caller ID detection: FSKR, DTMF.
Digit detection: DTMF.

VoIP

RJ45 (8P8C) connector.

SIP over UDP (RFC3261, RFC2976,
RFC2833).

SDP (RFC3264).

H.323 over UDP or TCP (ITU-T
H.323, ITU-T H.225, ITU-T H.245).

RTP (RFC 3550).

Tait VRP

Hytera DMR

Omnitronics IP

Encoding method: G.711 (A or μ -
law), 8000Hz, 64Kbps, mono.

Voice Encoding

HQVQ, 8000Hz, 7.9Kbps, mono
SPEEX Q8, 8000Hz, 15Kbps,
mono.

MPEG Audio Layer-3 (MP3),
8000Hz, 24Kbps, mono.

G.711 A-law, 8000Hz, 64Kbps,
mono.

G.711 U-law, 8000Hz, 64Kbps,
mono.

Audio File Formats

Total Recall VR (.trc).

Microsoft Wave (.wav).

MPEG Audio Layer-3 (.mp3).

Maximum Channel Capacity

Single-Interface Mode: 24 analogue
channels, or 30 VoIP/RTP Channels.

Hybrid mode: 24 analogue channels
PLUS 30 simultaneous VoIP/RTP
recording channels, in any
combination.

Analogue Recording Trigger

Off-hook – 6 voltage levels: 30V,
25V, 20V, 15V, 10V and 5V.

VOX – 6 signal levels: -20dB, -24dB,
-28dB, -32dB, -36dB and -40dB.

VoIP Recording Trigger

SIP session.

H.245 call.

Unicast RTP Stream.

Multicast RTP Stream.

Recording PIP Tone

1.4KHz. Analogue channels only.

Channel & level selectable.

Operating System

Linux CentOS 6.4.

On-board Storage

AV-GP SATA Hard Drive: 1 Million
Hours MTBF, up to 600,000 hours of
call storage.

On-board Archive Device

CD/DVD/Blu-ray Drive (Supports CD-
R, DVD+RW and BD-RE media).

External Archive Device

TCP/IP Network Drive: 250,000
records per archive session, up to
storage limit.

USB Storage Device (USB key, USB
HDD).

Network Interface

2 x 100Mbps Ethernet.

Time Synchronisation via NTP.

Alarm Interface via SNMP.

SMDR Interface via TCP/IP.

Audio Interface

Built in speaker.

Line-out jack – 3.5mm.

Headphone jack – 3.5mm.

Construction

Zinc passivated steel with powder
coated face.

Display

7" wide screen colour LCD display.

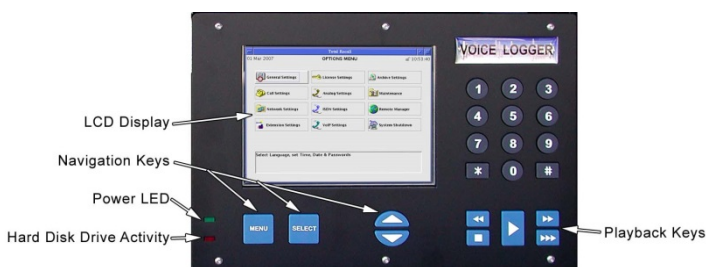
Dimensions & Weight

265H x 365W x 365D mm /11Kg.

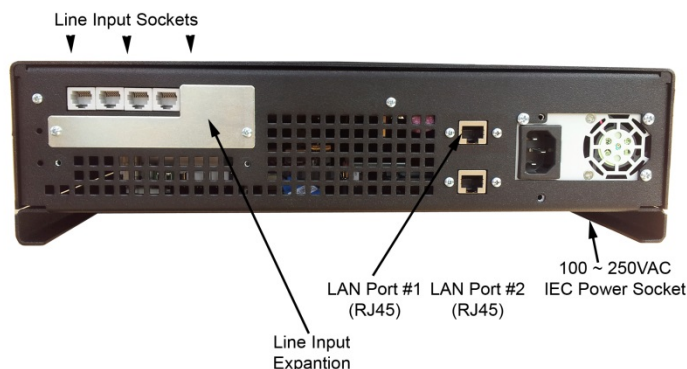
Power Supply

90 – 260 VAC, 50 – 75Hz.

**All Specifications Subject To
Change Without Notice**



Total Recall VR LinX Neos: Control Panel



Total Recall LinX Neos: Rear View



OMNICRON ELECTRONICS
554 Liberty Highway Unit 2, Putnam, CT 06260
Phone: 860-928-0377 Fax: 860-928-6477
www.omnicronelectronics.com